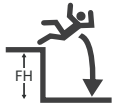


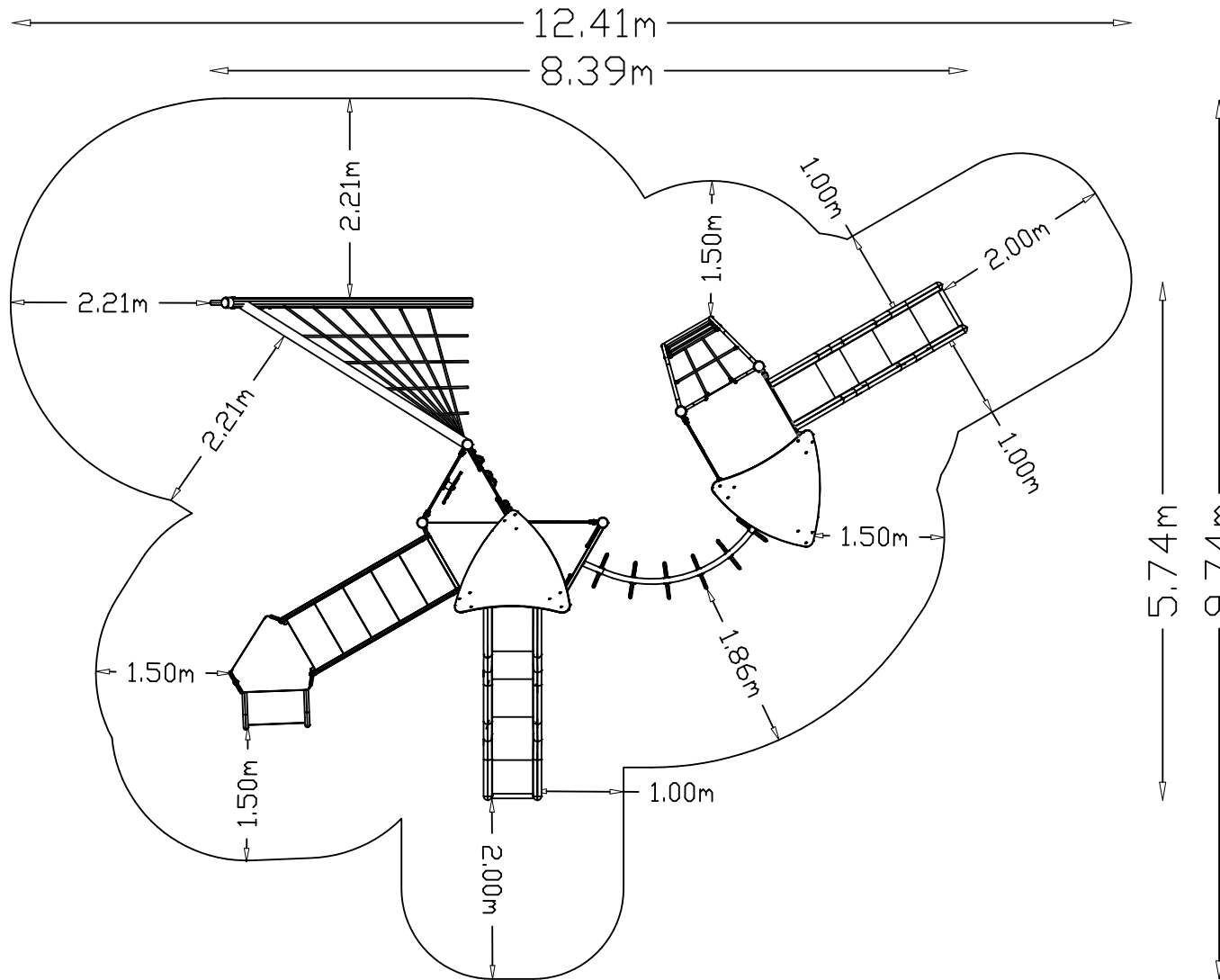
S6

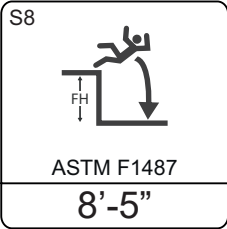


EN1176

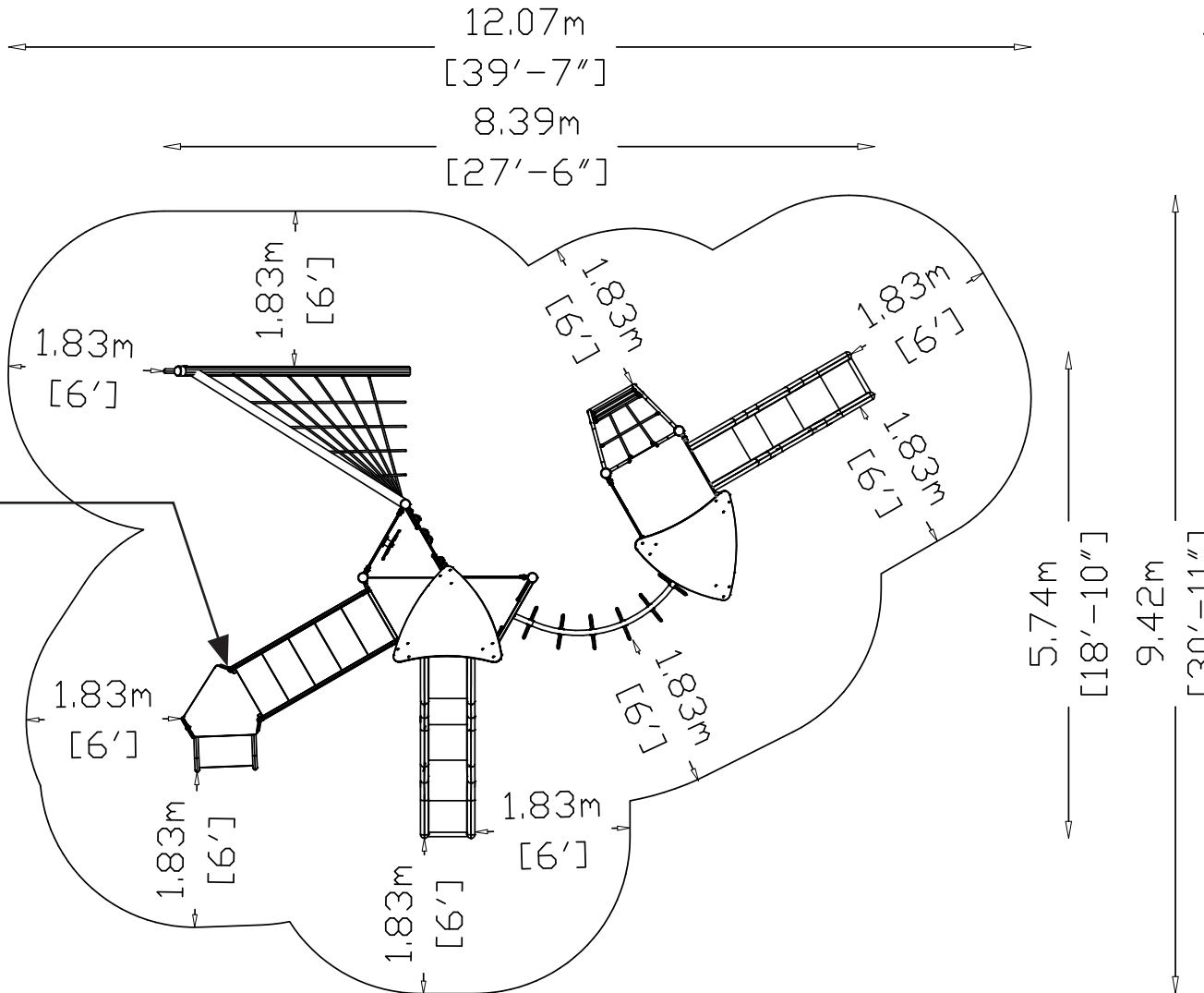
2.56m

EN1176





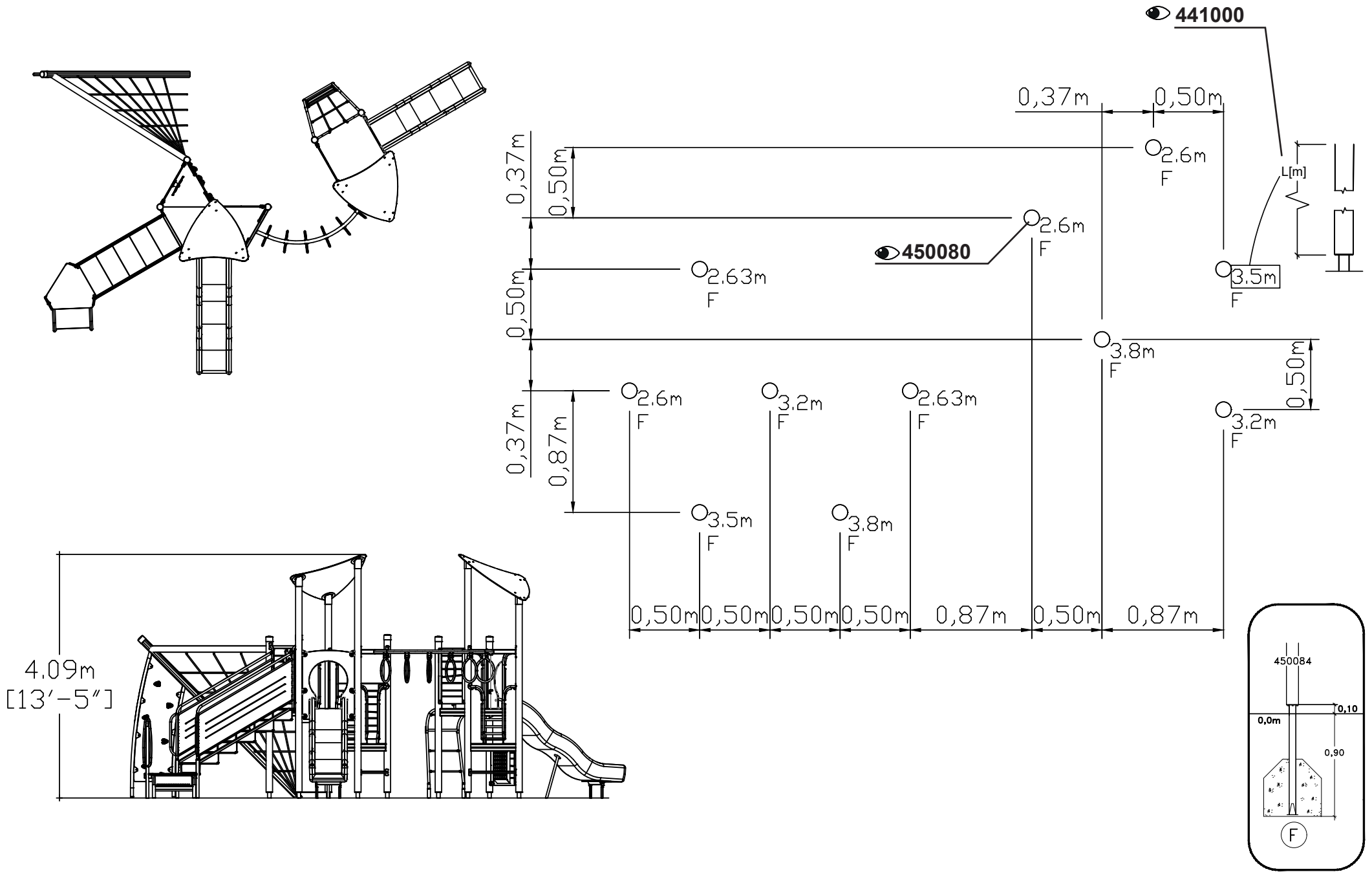
ASTM F1487

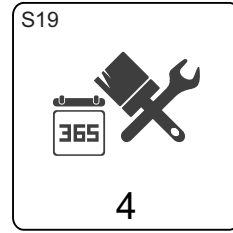
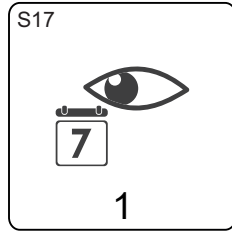
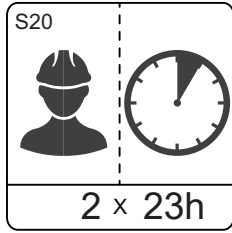
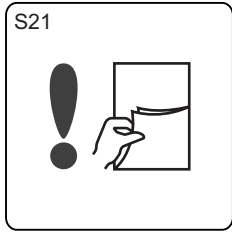


INSTALL 101

<p>WARNING Playground equipment cannot test whether it is as strong as rated or packed with the same material as that listed. Check for rust, corrosion, or other damage to the equipment before allowing children to play.</p> <p>WARNING Children are required to use the same surface caught on slides and other playground equipment. Before allowing children to play, verify that the surface is clean, free of debris, and free of holes or other damage. Check for rust, corrosion, or other damage to the equipment before allowing children to play. Children should wear appropriate shoes at all times.</p> <p>WARNING All playground equipment and rubber surfacing must be inspected for damage before allowing children to play. Check for rust, corrosion, or other damage to the equipment before allowing children to play. Children should wear appropriate shoes at all times.</p>	<p>play smart! rules</p> <ul style="list-style-type: none"> ✓ Do not play on broken or damaged equipment. Report it. ✓ Do not play without adequate safety training and proper equipment. ✓ No talking, running or shouting should be done while on equipment. ✓ Do not play on or run on playground equipment and its structure off of equipment. ✓ Wash your hands! Do not run, climb, swing, slide, or play on equipment when equipment is wet. Do not play on swings or any equipment if the seat or on top of seat through hole or chain. ✓ Do not climb on walls, railings, or posts. ✓ Adults - do not slide with a child on your back. It can injure your child's back. ✓ Before letting go of overhead bars, hand grips, and hand holds, a child will drop straight down with both feet. ✓ Before letting down, do not jump or slide swinging. Do not touch other children. 	<p>WARNING Playground equipment cannot test whether it is as strong as rated or packed with the same material as that listed. Check for rust, corrosion, or other damage to the equipment before allowing children to play.</p> <p>WARNING Children are required to use the same surface caught on slides and other playground equipment. Before allowing children to play, verify that the surface is clean, free of debris, and free of holes or other damage. Check for rust, corrosion, or other damage to the equipment before allowing children to play. Children should wear appropriate shoes at all times.</p> <p>WARNING All playground equipment and rubber surfacing must be inspected for damage before allowing children to play. Check for rust, corrosion, or other damage to the equipment before allowing children to play. Children should wear appropriate shoes at all times.</p>
---	--	---

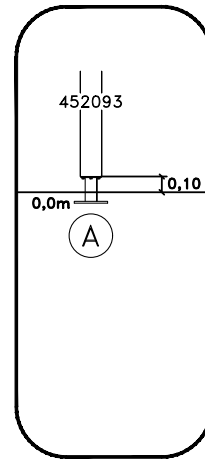
HAGS
FOR KIDS AGES
5-12
YEARS
ADULT SUPERVISION RECOMMENDED
www.hags.com



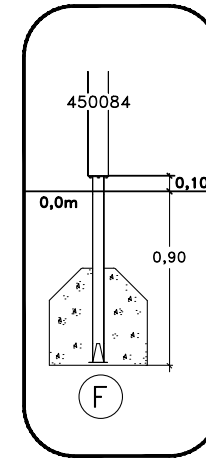


Install 101
260329
420960
420995
441000
450080
45275323
45475323
MA420U78026
MA45060523
MASW103874
MASW35156
MASW37573
MASW38904
MASW39775
MASW42193
MASW53817
MASW57252
MASW57255
MASW63820
MASW85869
MAUSW37447
ST403

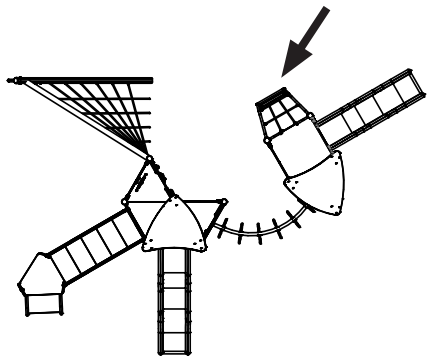
450080



Above Ground
OM



Cast Loose Fill
BM
8102041



● **MASW63820**

+0,91m

+1,5m

● **MASW53817**

● **MASW63820**

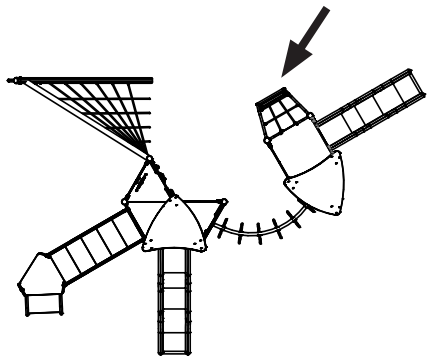
+0,91m

+1,5m

+1,5m

● **MASW63820**

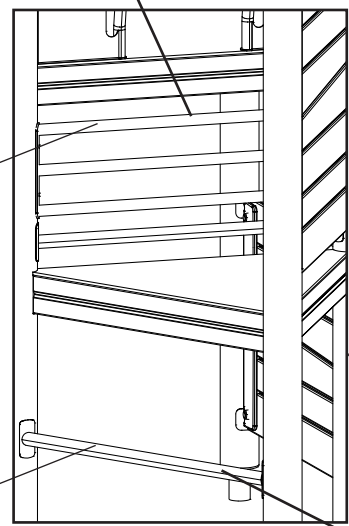
x3



MA45060523
+1,33

+1,01

+0,45



ST403
8060708

420995

ST403
8060708

MASW37573
x2

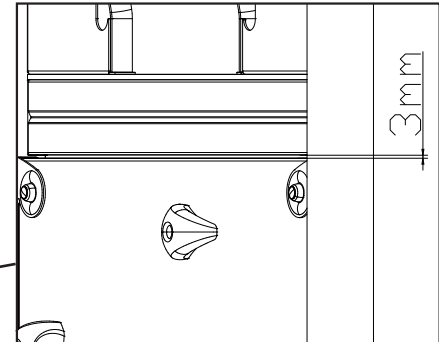
420995

ST403
8060708

ST403
8060706

420995

ST403
8060708



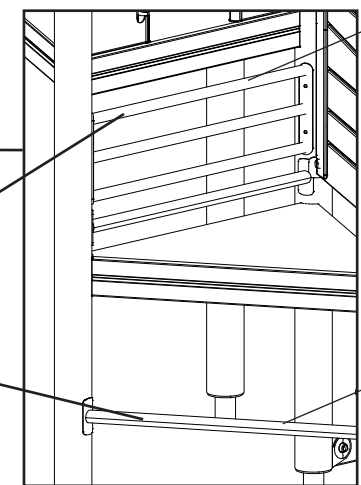
MASW42193

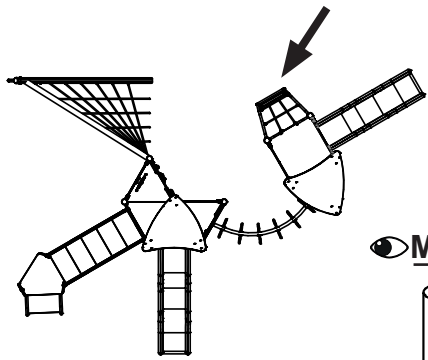
MA45060523
+1,33

+1,01

MASW37573
x2

+0,45





● MA420U78026

+1,96

● 45475323 [BM]

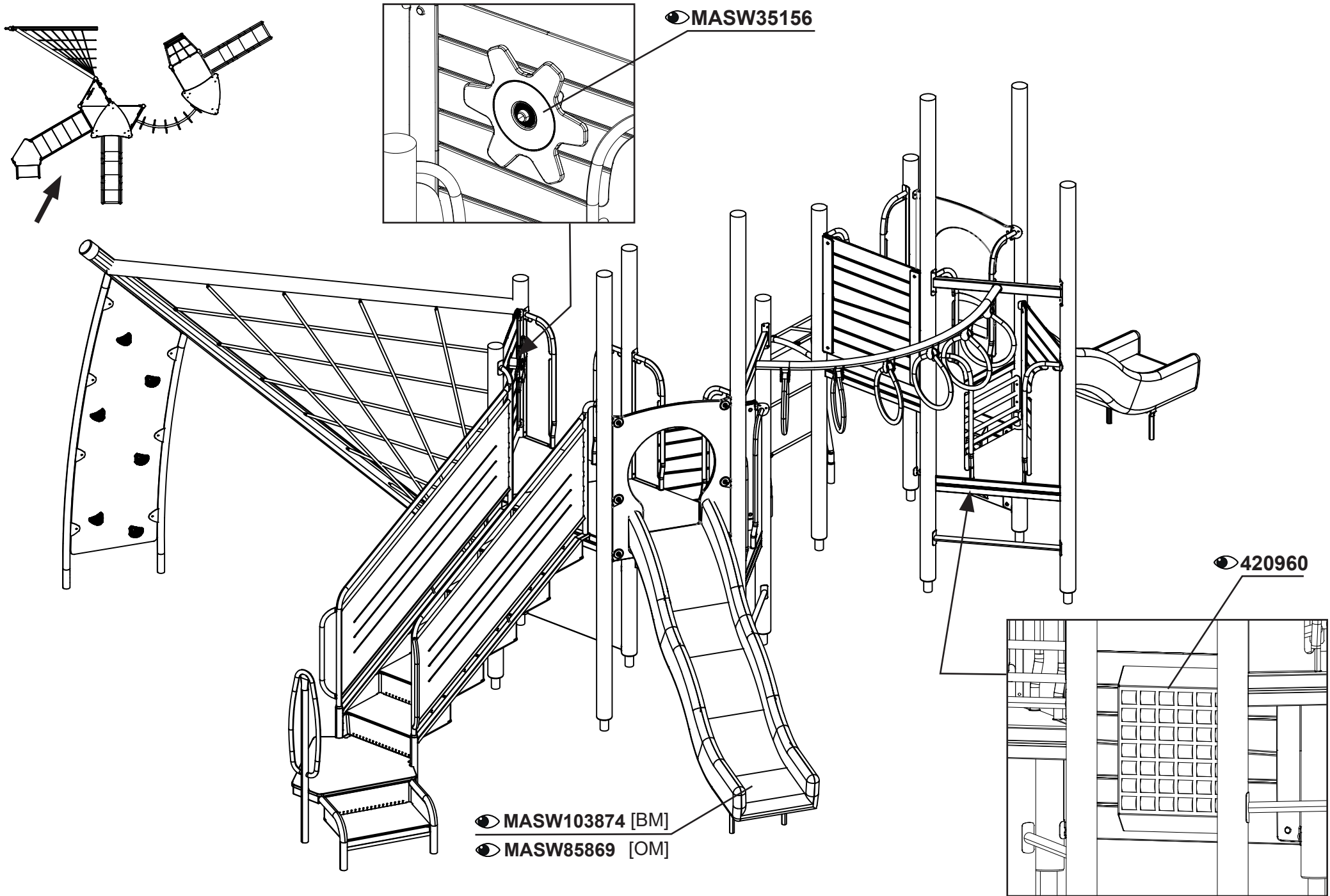
● 45275323 [OM]

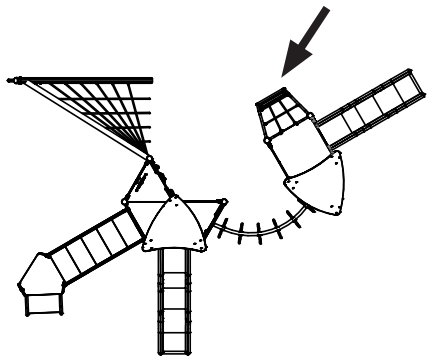
● MASW57255 [BM]

● MASW57252 [OM]

+2,56m

● MAUSW37447





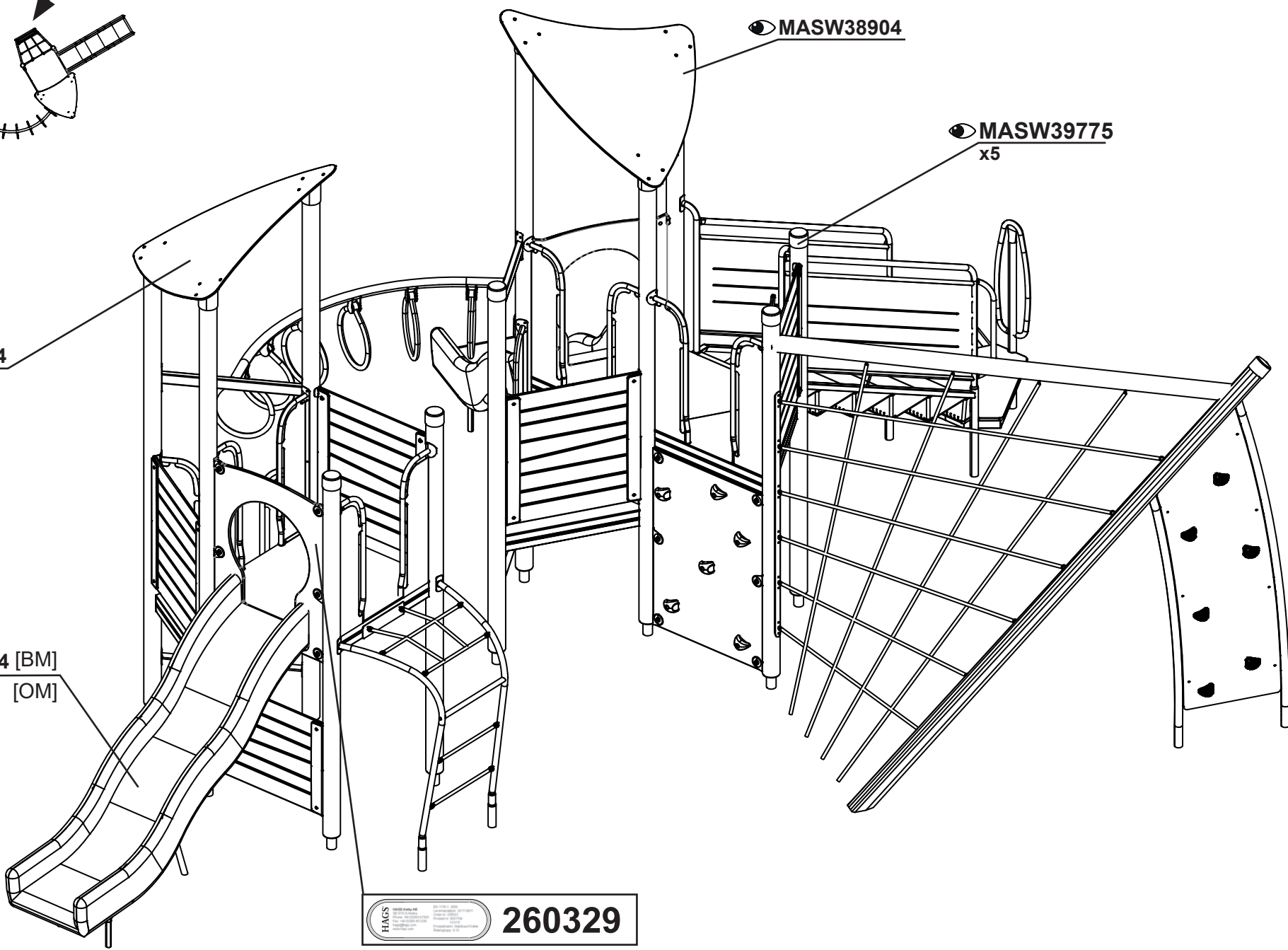
● MASW38904

● MASW38904

● MASW39775
x5

● MASW103874 [BM]

● MASW85869 [OM]



HAGS 260329